

# 40 PIN SMD ETHERNET 10/100 BASE QUAD PORT TRANSFORMER

## P/N: 40ST1076 DATA SHEET

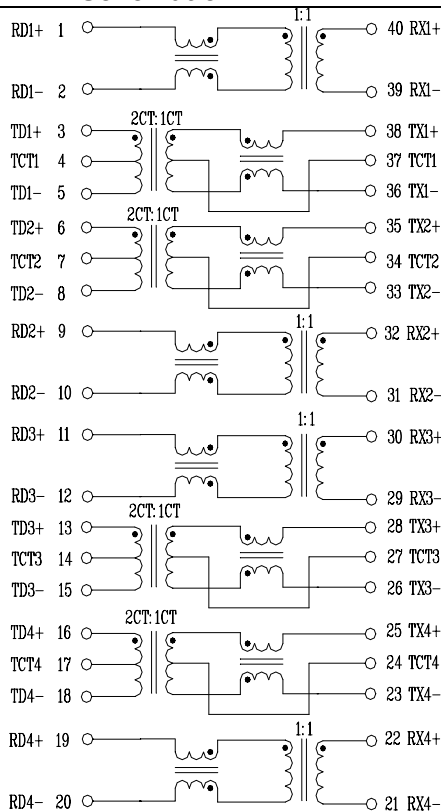
### Feature



- IEEE 802.3 Ethernet compatible, 100 BASE-TX
- Surface mountable.
- Design for multiport repeater and Ethernet switching hub application.
- Customer designs available for specific application.
- Operation temperature range: 0°C to +70°C.
- Storage temperature range: -25°C to +125°C.

Electrical Specifications @ 25°C							
Part Number	Turns Ratio (±5%)		OCL (uH Min) @100KHz/0.1Vrms with 8mA/DC Bias	Insertion Loss (dB Max)	Cross Talk (dB Min)		
	TX	RX			30MHz	60 MHz	100 MHz
40ST1076	2CT: 1CT	1:1	350	-1.15	-35	-40	-30
Continue							
Part Number	Return Loss (dB Min)				DCMR (dB Min)		HI-POT (Vrms)
	0.3-30 MHz	40 MHz	50MHz	60-80 MHz	1-60 MHz	60-200 MHz	
40ST1076	-18	-15.5	-13.6	-12	-37	-25	1500

### Schematic



### Mechanical

